

Neff  
B47CR32N0B  
Oven

Predecessor:

Successor:

EAN code:  
4242004181521

sales programme:

#### B47CR32N0B

Oven  
Stainless steel

#### Special features

- 2.5" TFT colour display with ShiftControl
- CircoTherm® Eco
- Interior halogen light
- Slide&Hide door, SoftClose
- Temperature proposal  
Actual temperature display  
Heating up indicator  
Sabbath setting

#### Features

- Oven with 12 heating methods:  
CircoTherm®, CircoTherm® Eco, Top/bottom heat, Conventional heat eco, Hot air grilling, Full surface grill, Centre surface grill, CircoTherm® intensive, Bread baking, Bottom heat, Low temperature cooking, Dough proving
- Permanent control panel lock  
Automatic safety switch off  
Residual heat indicator  
Start button  
Door contact switch
- Silver display EasyClock
- Full glass inner door
- Triple glazed door
- Pull out system: QuickConnect shelf supports
- Additional functions:  
Steam cooking function
- Rapid heat
- Cooling fan
- Stainless-steel fan
- Info button

#### Design

- TFT display
- Illuminated ShiftControl
- Revolution handle
- Cavity inner surface: Enamel anthracite

#### Oven cleaning

- EcoClean program, BaseClean program

#### Standard accessories

- Pull out system: QuickConnect shelf supports

#### Optional accessories

- 2 x combination grid, 1 x universal pan

#### Performance/technical information

- 71 litre
- Temperature range 40 °C - 275 °C

#### Included accessories

2 x combination grid, 1 x universal pan

#### Optional accessories

#### Technical Data

##### Characteristics

Color / Material Front : Stainless steel  
Construction type : Built-in  
Integrated Cleaning system : Catalytic all sides, Hydrolytic  
Required niche size for installation (HxWxD) : 585 x 560 x 550  
Dimensions of the product (mm) : 595 x 596 x 548  
Control Panel Material : Stainless steel  
Door Material : Glass  
Net weight (kg) : 41.0  
Usable volume of cavity (l) : 71  
Cooking method first cavity : ,  
Bottom heat, Bread Baking Setting, Conventional heat, Dough proving setting, Full width grill, Half width grill, Hot Air, Hot Air-Eco, Hot air grilling, low temperature cooking, Pizza setting  
Number of interior lights : 1  
Approval certificates : CE, VDE  
Length of electrical supply cord (cm) : 120

##### Consumption and connection features

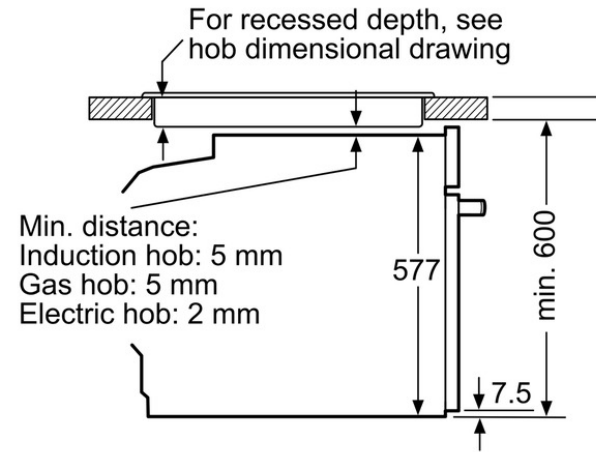
Number of cavities (2010/30/EC) : 1  
Energy efficiency class (2010/30/EC) : A+  
Energy consumption per cycle conventional (2010/30/EC) : 0.87  
Energy consumption per cycle forced air convection (2010/30/EC) : 0.69  
Energy efficiency index (2010/30/EC) : 81.2  
Electrical connection rating (W) : 3450  
Current (A) : 16  
Voltage (V) : 220-240  
Frequency (Hz) : 60; 50  
Plug type : no plug

#### Alternative colors available

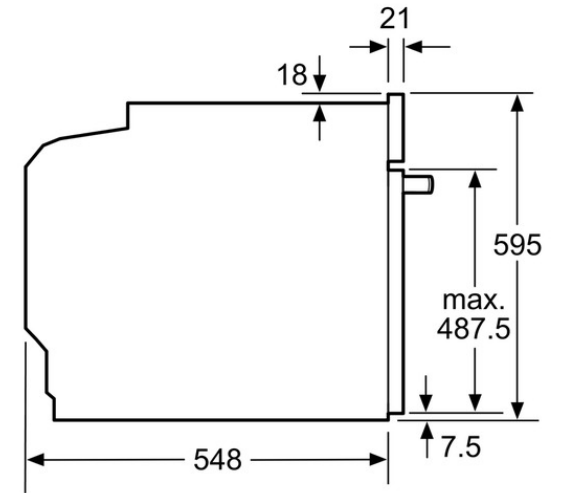
**B47CR32N0B**  
Oven  
Stainless steel



Installation with a hob.



measurements in mm



measurements in mm

